

Shutoff valve type A210 / A220

Application and function

The area of application comprises the entire product range of reflex, transparent and bicolour level gauges. They are used to shut off the level gauge.

Technical basic equipment

- Body material carbon steel, material as per DIN or ASME
- Inner parts of valve stainless steel
- Handwheel and handlever aluminium
- Process connection PS = 32 bar: DN20 or DN25, PS = 80 bar: DN 25
- Self-closing ball for automatic shutoff in case of glass or mica break
- Version with backseat to release gland packing

Available (optional) versions

- Quick closing spindle
- Other process connections as per DIN or ASME, butt welding end and socket welding

Technical data

Allowable pressure	PS	[bar]	32	50	80
Allowable temperature	TS	[° C]	239	265	296
Handwheel	∅	[mm]	100		

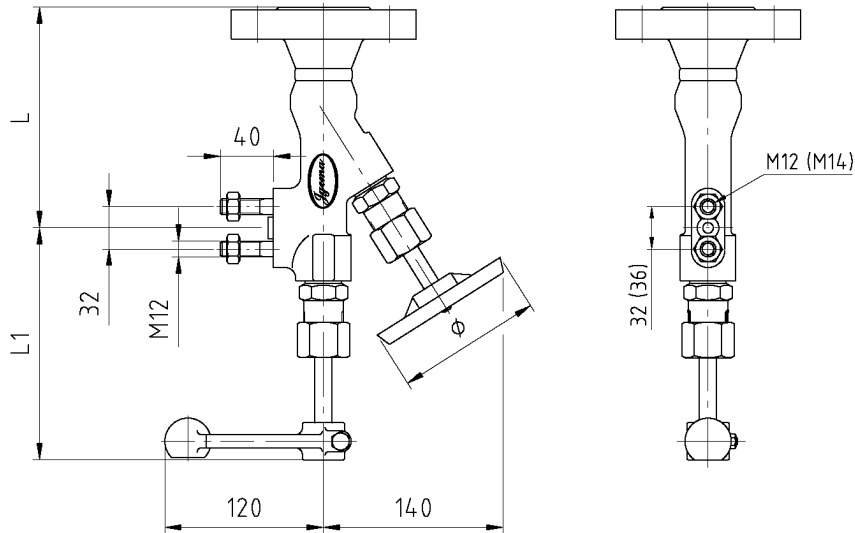


A210

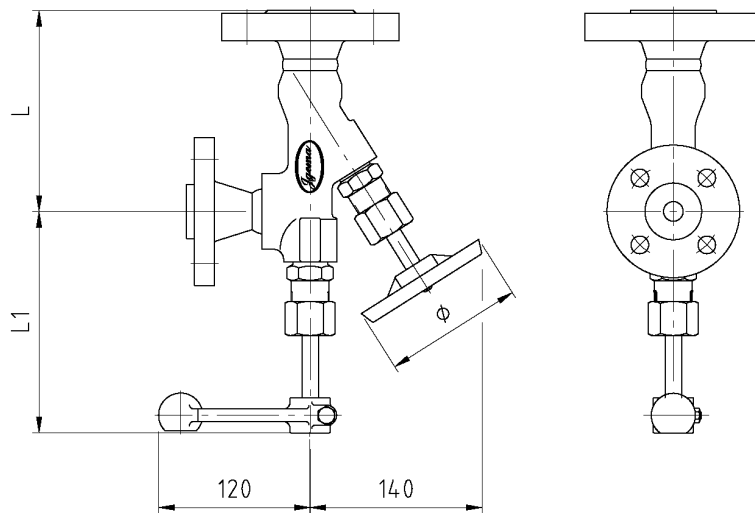


A220

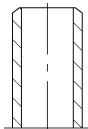
A210 with flange as per DIN



A220 with flange as per DIN

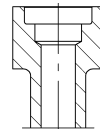


Welding end



Welding end DIN 3239
Butt welding end ASME B16.25

Socket Welding



Socket welding
SW ASME B16.11

Allowable pressure PS [bar]	Flange	L [mm]	Welding end	L [mm]	L1 [mm]
32	DN20 DIN 2635-C	170			175
50	DN25 DIN 2638-E	160	DIN 3239	160	175
80	DN25 DIN 2638-E	160	DIN 3239	160	175

